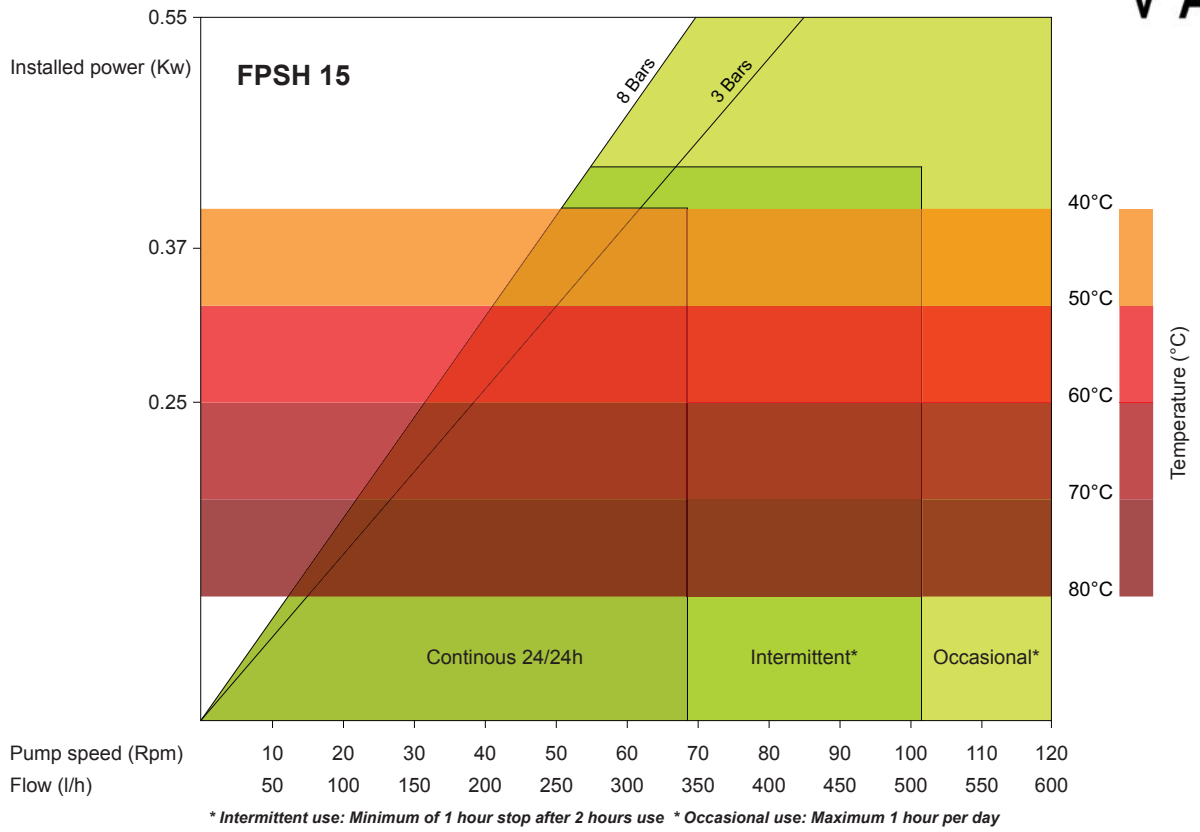
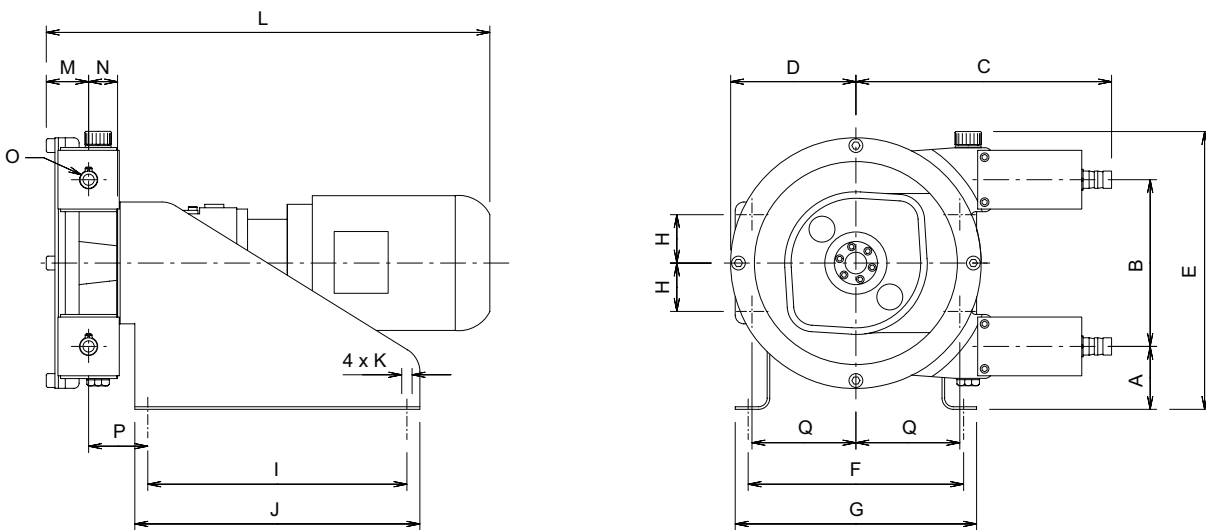


FPSH 15 - TECHNICAL DATASHEET



Dimensions



* Hose tail

| TYPE | A | B | C | D | E | F | G | H | I | J | K | L | M | N | O | P | Q |
|---------|----|-----|-----|-----|-----|-----|-----|------|-----|-----|-------|---|----|------|-------|------|--------|
| FPSH 15 | 73 | 193 | 296 | 145 | 322 | 250 | 280 | 51,5 | 300 | 330 | 4xø13 | - | 49 | 35,5 | ø20 * | 70,5 | 124,75 |

ALL DIMENSIONS AND TECHNICAL DATA IS SUBJECT TO CHANGE WITHOUT NOTICE