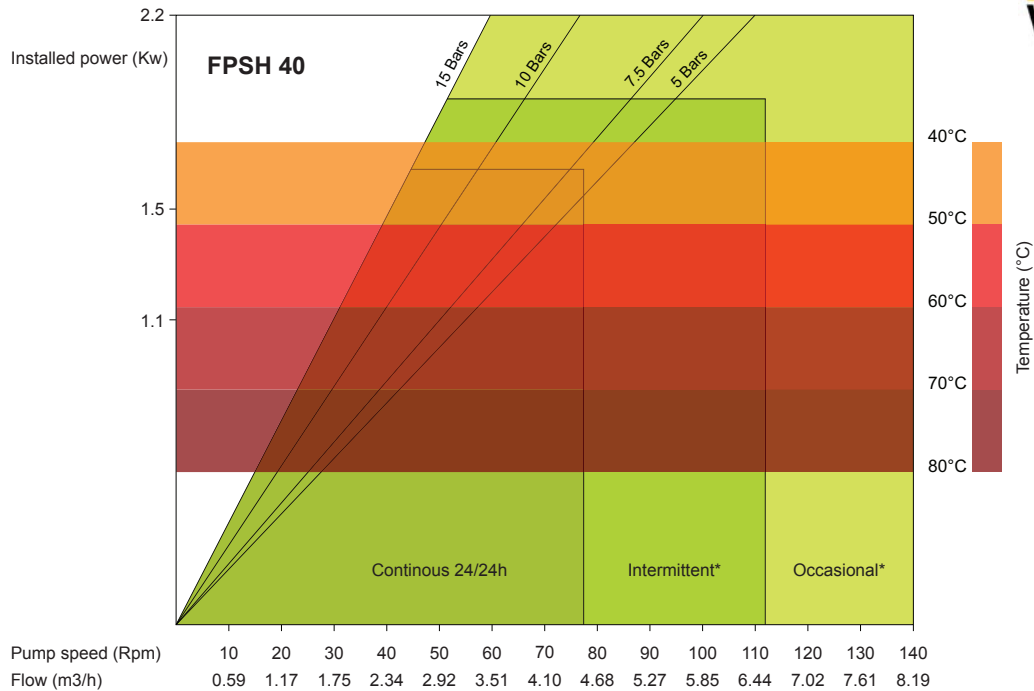


# FPSH 40 - TECHNICAL DATASHEET

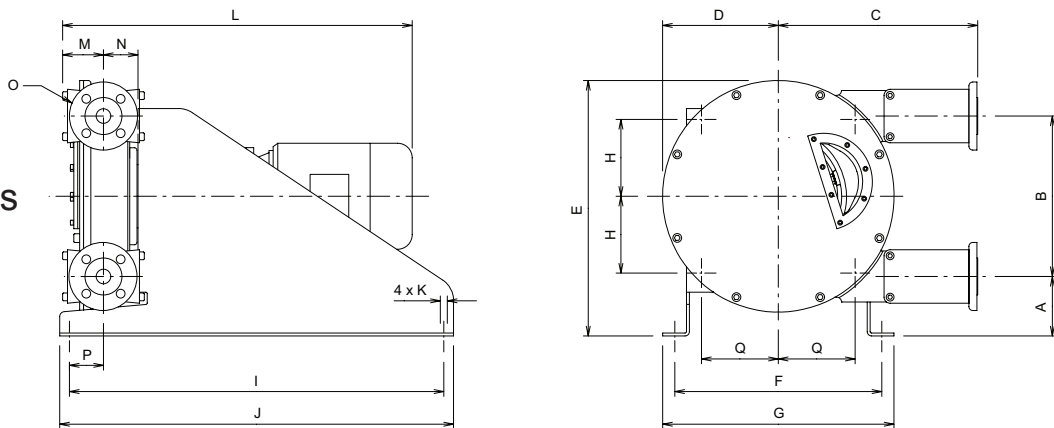


\* Intermittent use: Minimum of 1 hour stop after 2 hours use \* Occasional use: Maximum 1 hour per day

SHOE SHIMMING TABLE - FPSH 40		
Pressure bar (psi)	Speed - Rpm	Number of shims - thickness 0.5 mm
$\Delta P \leq 5$ (72,5)	0 to 40	0
	40 to 160	0
$5$ (72,5) $\leq \Delta P \leq 7,5$ (108,75)	0 to 40	2
	40 to 125	1
$7,5$ (108,75) $\leq \Delta P \leq 10$ (145)	0 to 40	3
	40 to 105	2
$10$ (145) $\leq \Delta P \leq 15$ (217,5)	0 to 40	4
	40 to 90	3

Beware: Remove one shim if temperature exceeds 60° Celsius (140° Fahrenheit)

## Dimensions



TYPE	A	B	C	D	E	F	G	H	I	J	K	L	M	N	O	P	Q
FPSH 40	122,5	330	435,5	238	525,5	426	476	157,75	770	810	4xø13	-	83	89	DN40 PN16	91	157,75

ALL DIMENSIONS AND TECHNICAL DATA IS SUBJECT TO CHANGE WITHOUT NOTICE